

Venus

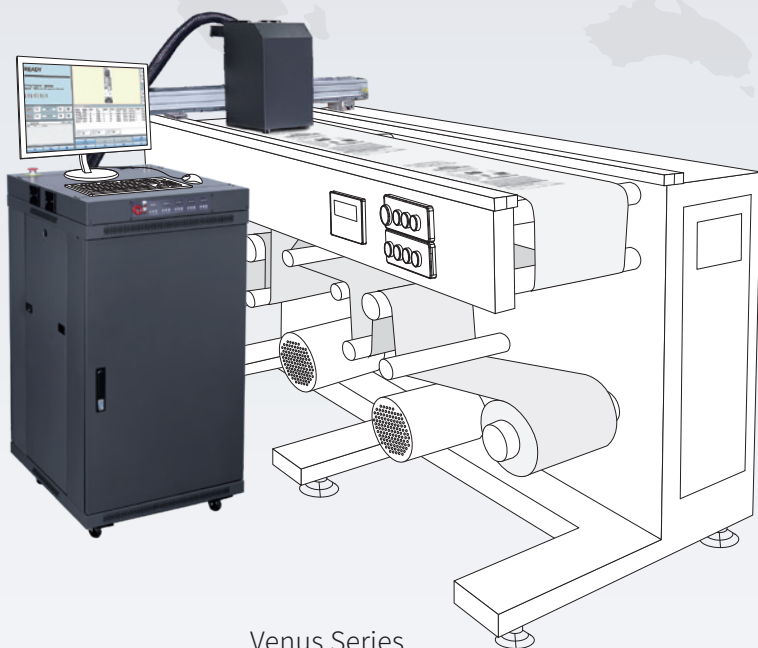
Inkjet Print Engine for Variable Data Printing (VDP)

54/ 108 Monochrome

C54/ C54P Full Color

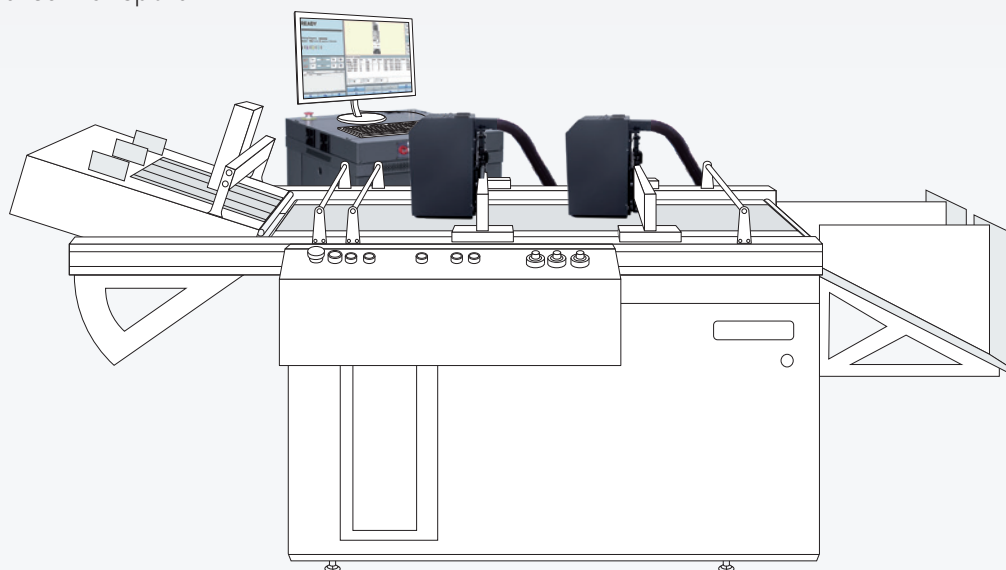
C54H Hexachrome

54D Double Speed



Venus Series
for Roll-to-roll & Sheet-fed Transport

- *600dpi Print Resolution*
- *Up to 300m/ min*
- *UV or water-based ink*
- *Based on DOD inkjet print heads*
- *Involving multiple patented technologies*



Venus Series
Supporting Multiple Print Head Modules

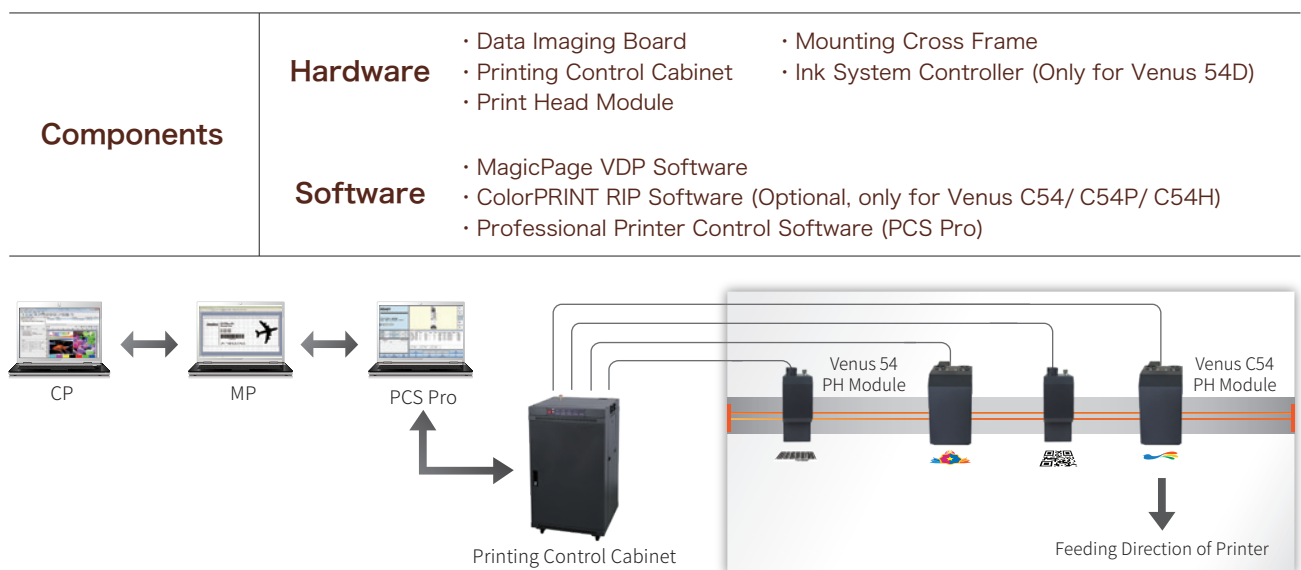


As a developer and manufacturer of industrial inkjet solutions established in 1988, Amica has been specializing in industrial image graphics and inkjet technologies for over 27 years. As early as 2008, Amica launched its first single-pass inkjet print engine for printing books and packaging boxes. Now Amica has been granted over 200 patents worldwide. The majority of Amica's products are compliant with CE or TUV standards carried out in Europe, or cTUVus standards in North America.

Equipped with industrial high-resolution and high-speed DOD piezo electric print heads, Venus series inkjet print engines meet the increasing and rigorous demands for the applications of mailings, barcodes, bills, checks, packages, and marking.

Venus series inkjet print engines are suitable for web printing, sheet-fed, and both online and offline targeted marking printing. As fully integrated digital inkjet print engines, they can be easily integrated into existing transport systems thanks to its modular design to create more value-added opportunities.

BASIC DIAGRAM OF VENUS



KEY FEATURES

● Versatile Ink Applications

Venus series inkjet print engines offer two kinds of ink system to satisfy different application. Depending on media and substrates, UV ink system or Water-based ink system can be configured.

UV inks have advantages of extensive material applicability and durability. They can be printed on a wide range of coated or uncoated substrates, including plastic cards, paper, and metals. The earth-friendly water-based inks can be printed on coated paper.

● Easy for Mounting and Alignment

The actual physical resolution of the Print Head Module is up to 600dpi. The patented, multi-angle adjustment mounting bracket enables the operator to adjust the angle of the X, Y, and Z-axis directions for each Print Head Module. Users can adjust the relative position of print heads easily and precisely.

● Various & Movable Printing Positions

The target printing position of variable data usually changes with different printing jobs. Venus enables you to precisely adjust the printing position of the variable data to meet the demands of each job.

● Highly-efficient Double-speed Printing

Venus 54D adopts the proprietary image data processing and digital inkjet printing technologies, realizing double-speed printing without compromising the printing precision.

● Hexachrome Printing

Venus C54H adds two colors to the basic CMYK, realizing hexachrome and a wider color gamut, as well as achieving better color reproduction and presenting more vivid images.

TECHNICAL SPECIFICATIONS

Data Imaging Board

- The Data Imaging Board is installed on PC. It connects to the PC motherboard via PCIe interface.
- It supports sustained 240M Bytes/ Second from 1 to 8 heads in grayscale mode.



Data Imaging Board

Printing Control Cabinet

Dimensions (W×D×H):

600mm (23.6") × 600mm (23.6") × 1100mm (43.3")

- Proven ink system, air system and control electronics
- Field upgradable firmware and system software
- Supports up to 4 Print Head Modules
- Automatic alarm signaling ink shortage



Printing Control Cabinet

Ink System Controller(Venus 54D)

Dimensions (W×D×H):

636mm (25") × 255mm (10") × 641mm (25")

- Automatic ink supply system with a large 3 liters ink reservoir
- Negative pressure ink control system with digital display



Ink System Controller

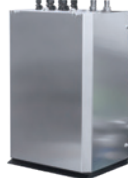
Print Head Module

The Print head Module is available in 6 models: Venus 54, Venus 108, Venus C54, Venus C54P, Venus C54H, and Venus 54D.

- Head power management and head temperature controller
- Intermediate ink tanks with ink level sensors
- Sub-tank with anti-overflow function (Optional)



Venus 54



Venus 108



Venus C54/ C54P



Venus C54H



Venus 54D

Anti-overflow line concentrator (Venus 54D)

Dimensions (W×D×H): 120mm (4.7")× 90mm (3.5")× 230mm (9")

- Highly integrated and prevents ink from flowing out, keeping related components intact.



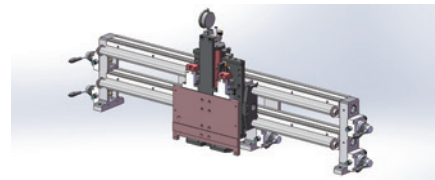
Anti-overflow Line Concentrator Demo

Mounting Cross Frame

Dimensions (W×D×H):

1143mm (45")× 230.5mm (9")× 417mm (16.4")

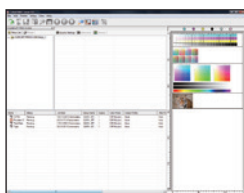
- Frame length can be customized to user's needs



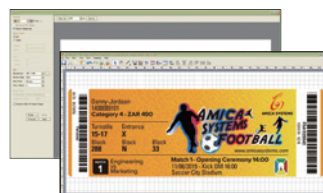
Mounting Cross Frame Demo

Venus series print engines supported fonts and barcodes:

- Graphics, numeric codes, time, and serial numbers
- True Type and Open Type
- 1-D Barcodes: EAN 13, EAN 8, Code 39, Code 128, Codabar 2 Widths, GS1 DataBar (RSS-14), Interleaved 2 of 5, UPC-A, and USPS PostNet
- 2-D Barcodes: PDF417, QR-Code, and Data Matrix



ColorPRINT RIP Software



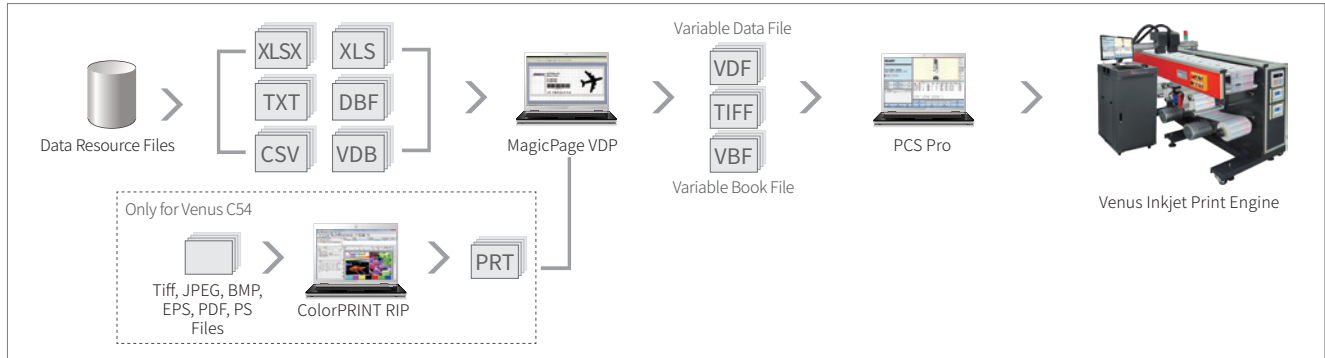
MagicPage VDP Software



PCS Pro

EFFICIENT WORKFLOW

Venus VDP workflow integrates multiple advanced technologies, from color management, RIP, content collaboration, to output production. The efficient and streamlined workflow enables users to achieve high-speed, accurate, and vivid color variable data printing.



BASIC SPECIFICATIONS

| | 54 | 108 | C54 | C54P | C54H | 54D |
|---|--|---------|-----------------|-------------------------|-----------------|--|
| Head Modules* | | | | | | |
| Print Head Model | DOD piezo electric inkjet print head | | | | | |
| Number of Print Heads and UV Lamps | 1 Head | 2 Heads | 4 Heads | 4 Heads, 1 Pinning Lamp | 6 Heads | 2 Heads |
| Printing Width | 54mm | 108mm | 54mm | | | 54mm |
| Inks | UV Ink, Water-based Ink | | Water-based Ink | UV Ink | Water-based Ink | UV ink, Water-based Ink |
| Number of Colors | Monochrome | | Full Color | | Hi-fi Color | Monochrome with Double Speed Bi-color with Standard Speed |
| Print Resolution | 600dpi | | | | | |
| Dropsize | 7 pl, Variable Dot Size | | | | | |
| Print Type | Images, texts, serial numbers, barcodes, dates, time, etc. | | | | | |
| Print Productivity <i>unit: m/ min. (ft/ min.)</i> | 600 × 300dpi | 150 | | | | 300 |
| | 600 × 480dpi | 125 | | | | 250 |
| | 600 × 600dpi | 100 | | | | 200 |

* Head Modules equipped with other print heads are also available. Welcome to contact us for more information.

APPLICATIONS



Labels



Packaging



Cards



Tickets



Business Forms



AMICA SYSTEMS Europe B.V.

Camerastraat 6, 1322 BC Almere, The Netherlands

Phone: +31 (0) 36 21 00 166

E-mail: info@amicasystems.eu

For more information, please visit www.amicasystems.eu

The information contained herein is subject to change without notice. All terms and product names may be trademarks or registered trademarks of their respective owners, and are hereby acknowledged.

©2001-2019 Amica Systems

All rights reserved

1909 - c0405

